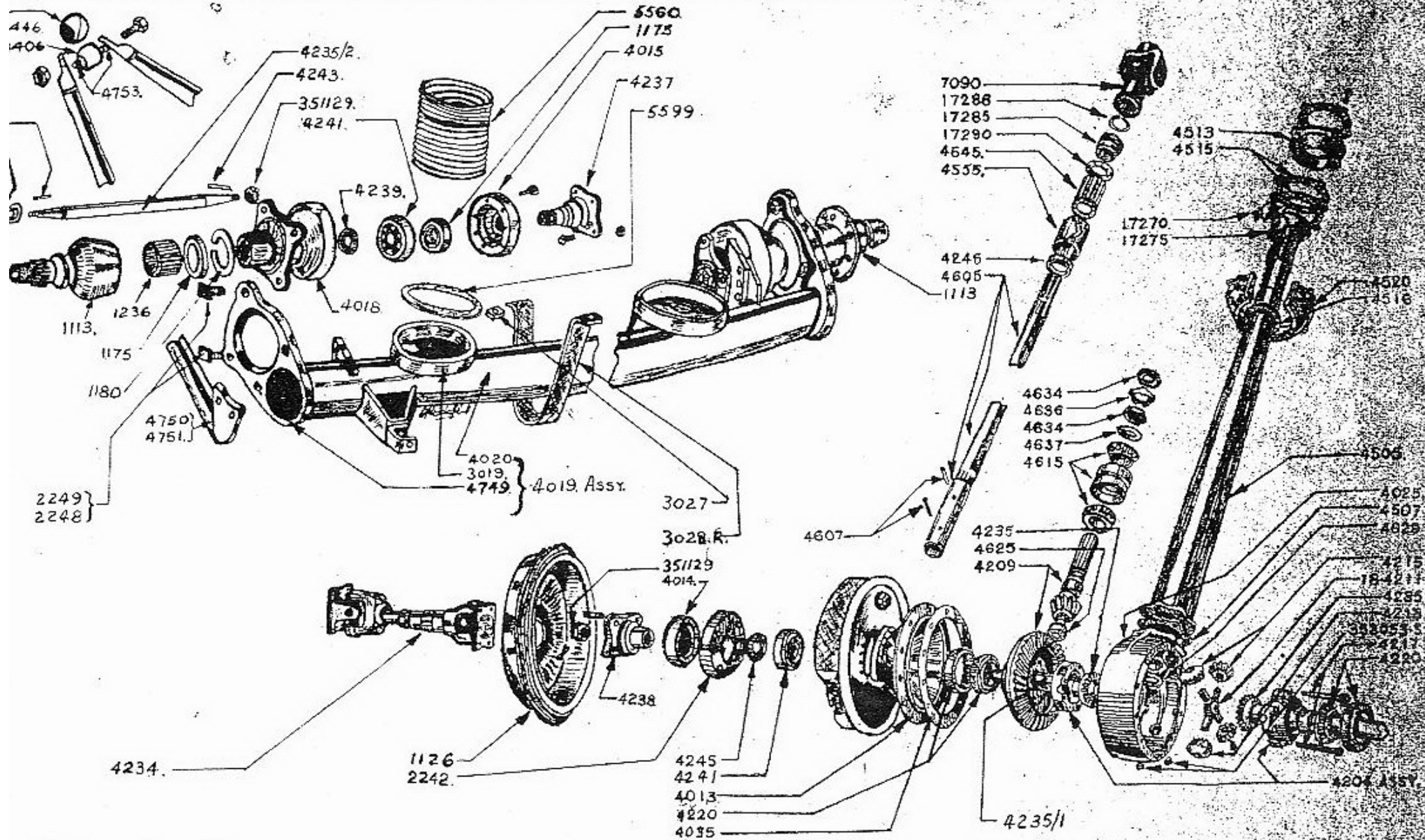
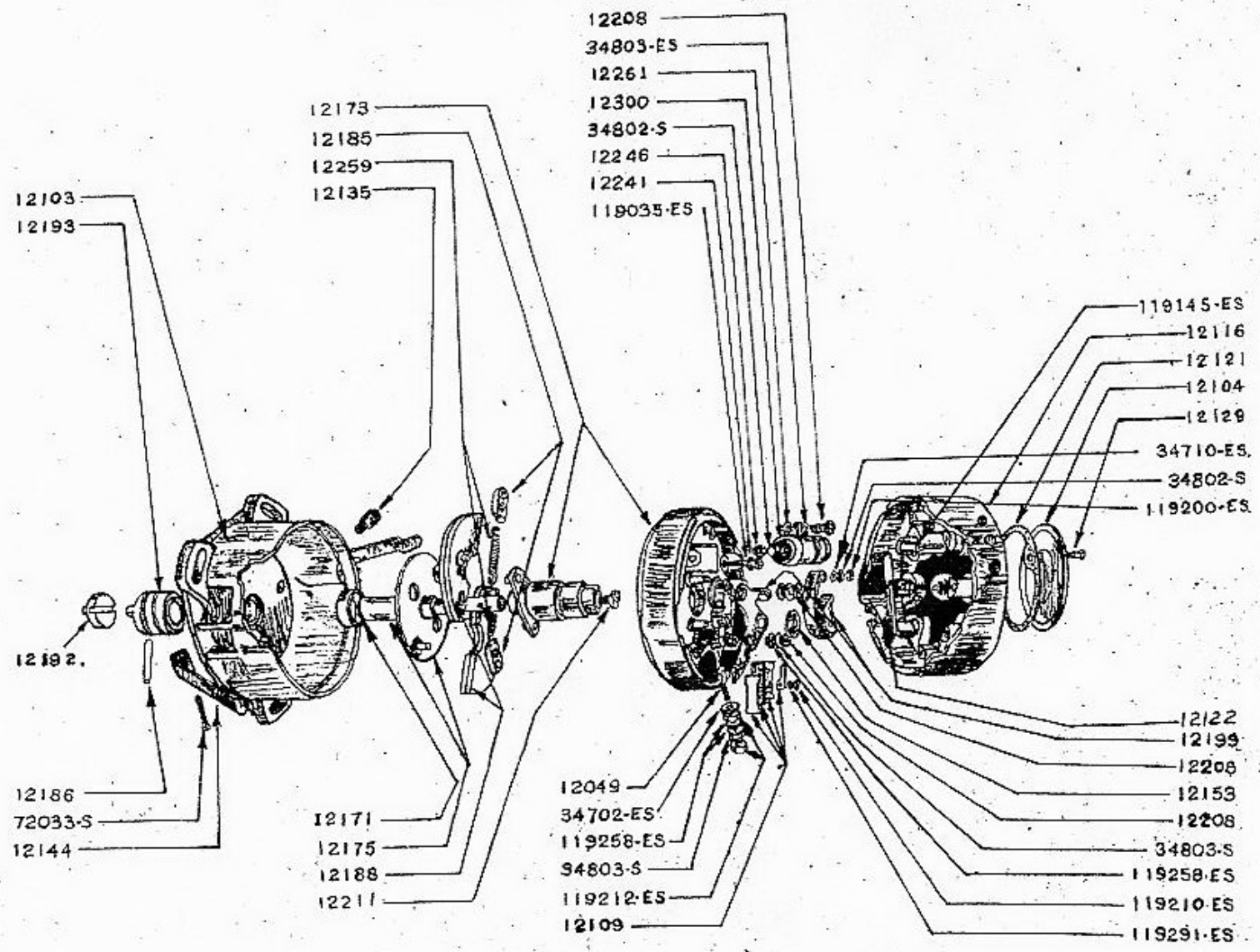


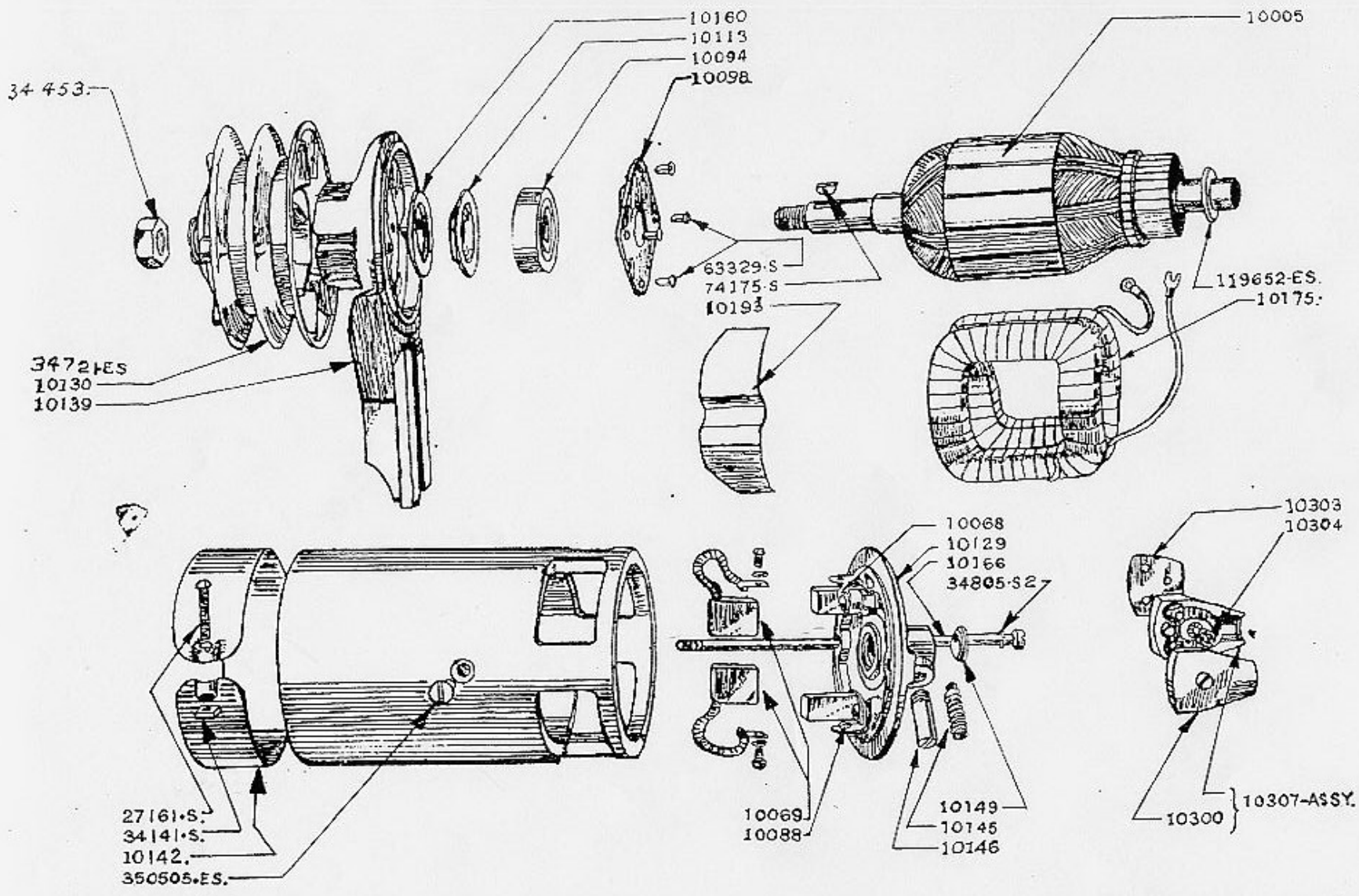
FRAME AND EXHAUST ASSY

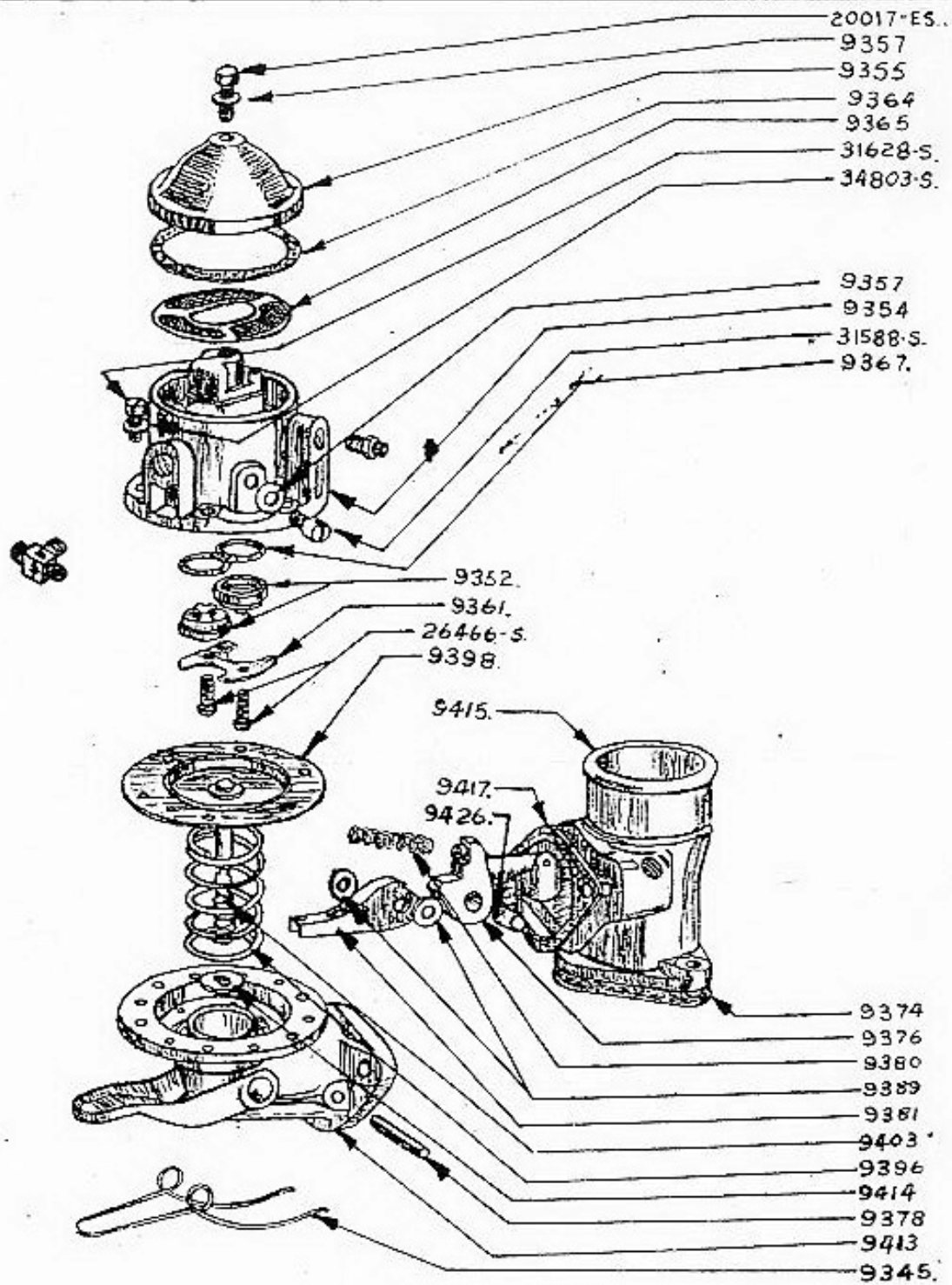


DE DION AXLE ASSY.

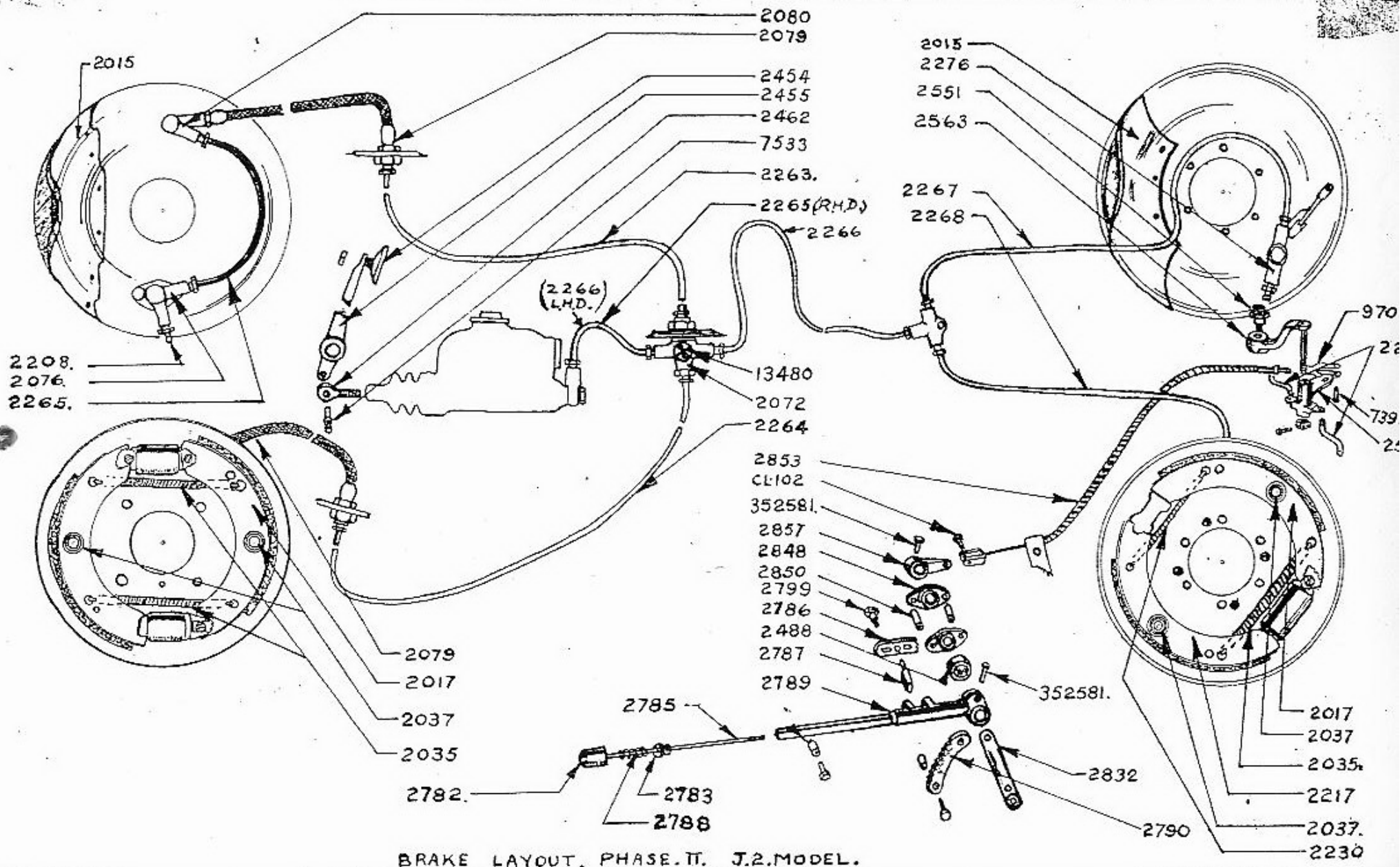


DISTRIBUTOR T2 MODEL

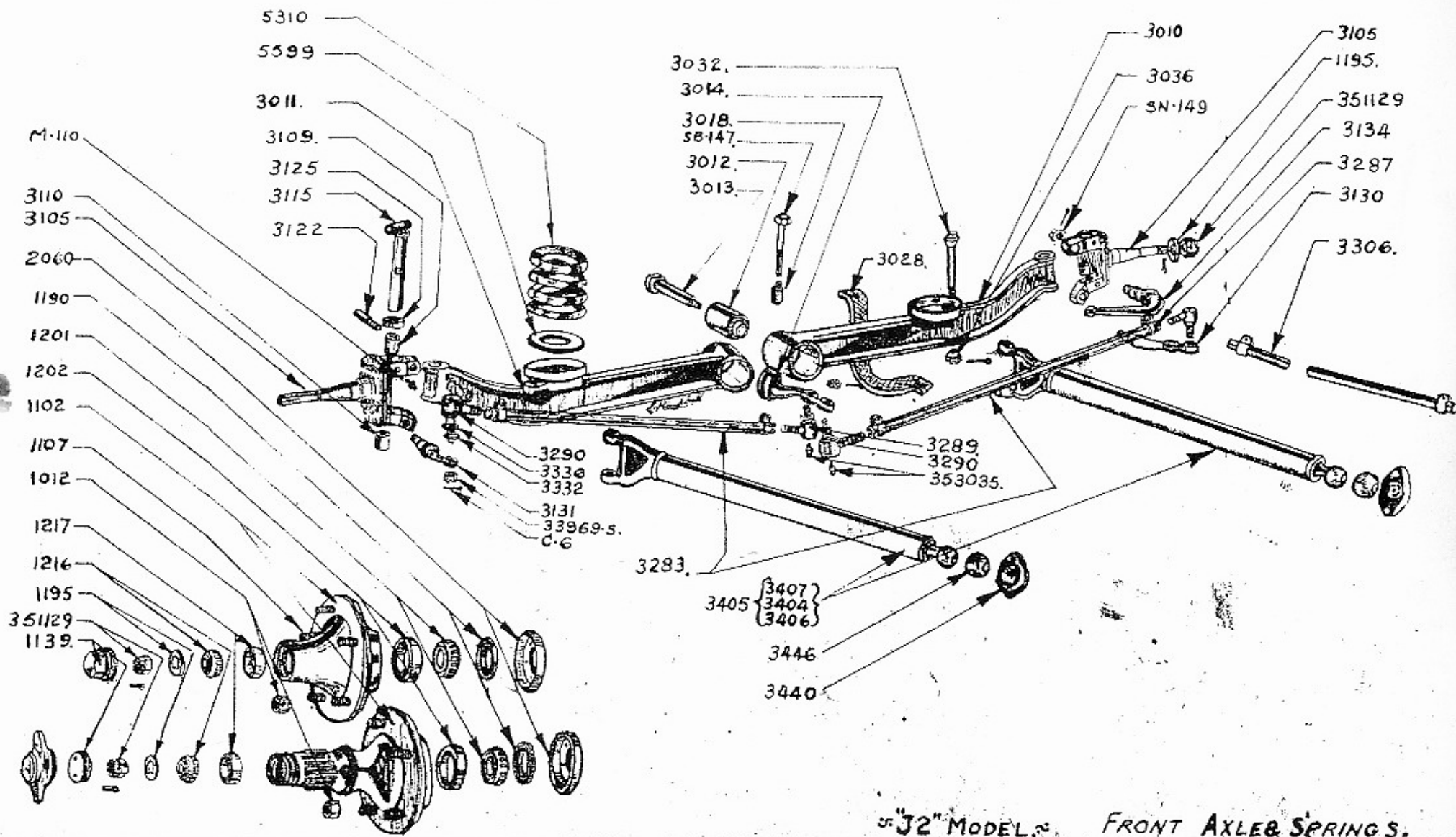




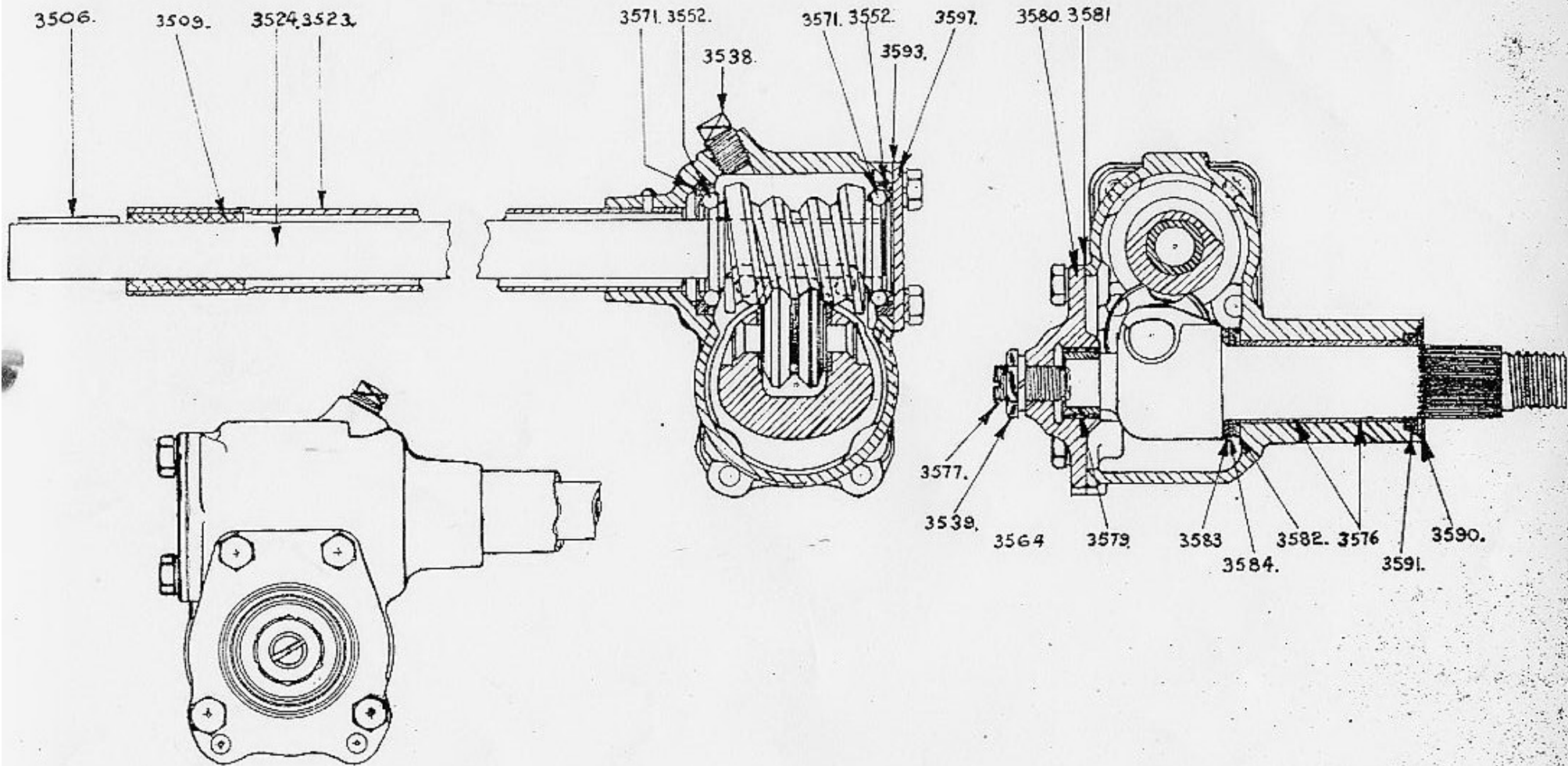
PETROL PUMPS.



BRAKE LAYOUT, PHASE II, J.2 MODEL.



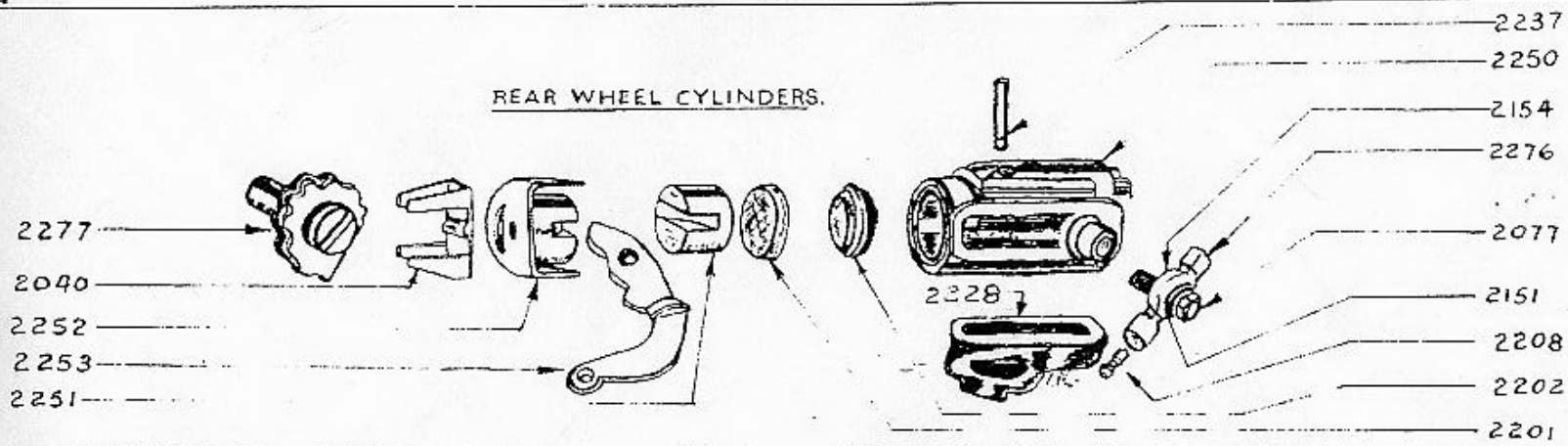
"J2" MODEL. FRONT AXLE & SPRINGS.



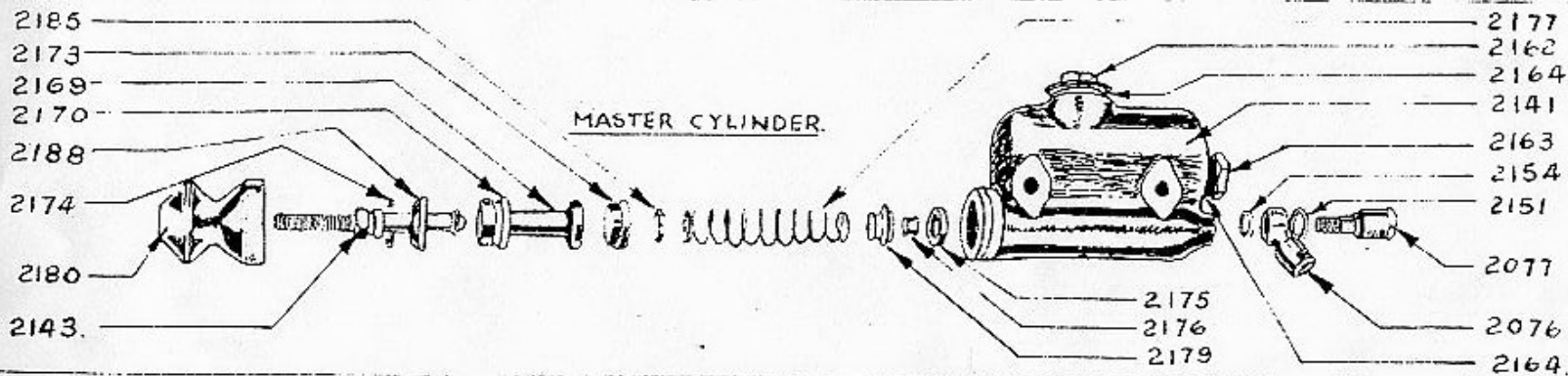
STEERING GEAR. 91J. MODEL



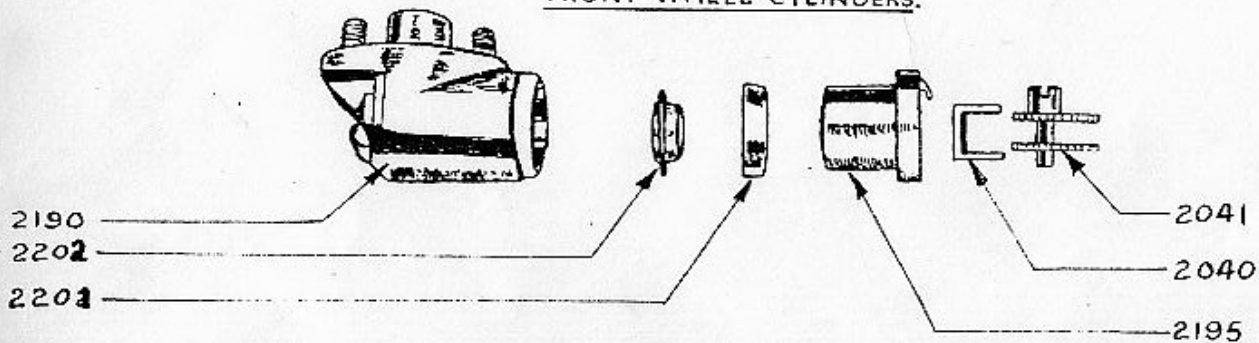
REAR WHEEL CYLINDERS.

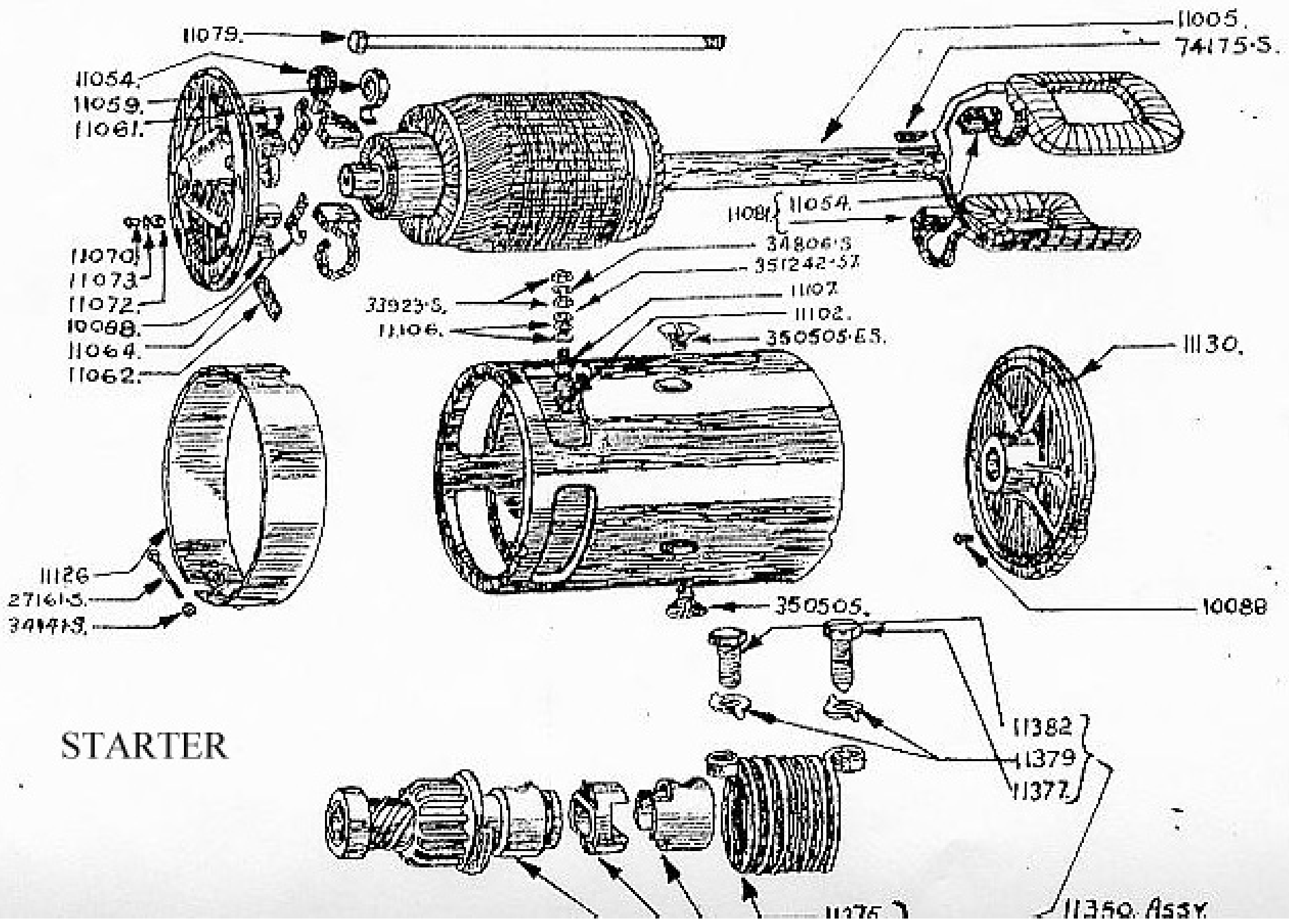


MASTER CYLINDER.



FRONT WHEEL CYLINDERS.





STARTER